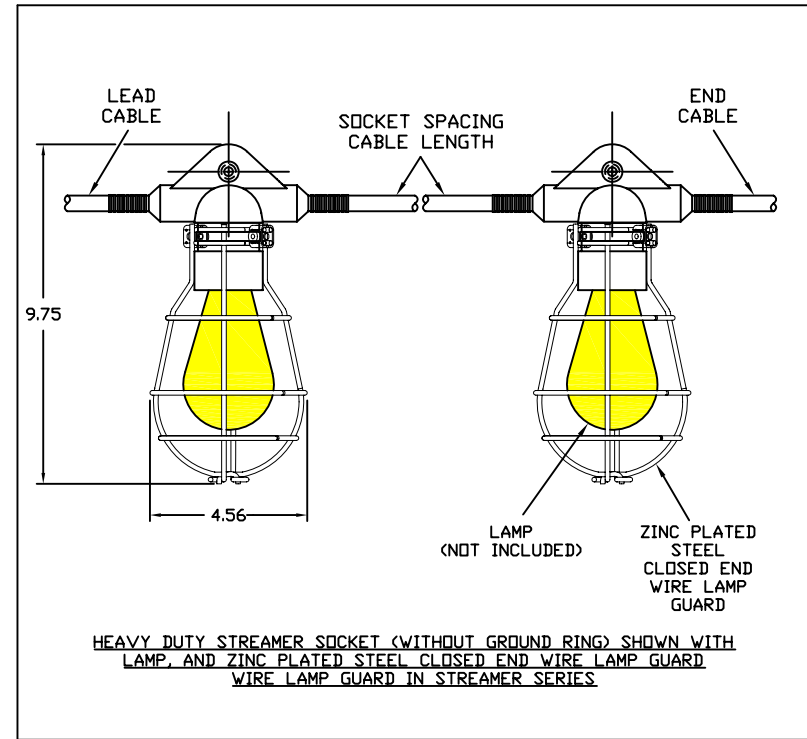
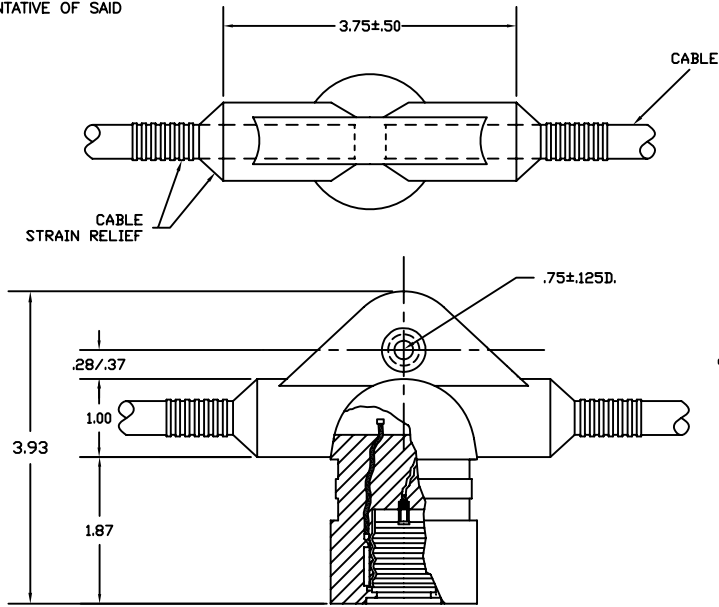



THIS DRAWING/SPECIFICATION CONTAINS PROPRIETARY INFORMATION OF THE J.B. NOTTINGHAM AND CO., INC., DURALINE, WHICH SHALL NOT BE PUBLISHED, REPRODUCED, COPIED, FURTHER DISCLOSED AS THE BASIS OF MANUFACTURE FOR OR SALE OF APPARATUS TO OTHERS THAN THE J.B. NOTTINGHAM AND CO., INC., EXCEPT BY WRITTEN PERMISSION OF A DULY AUTHORIZED REPRESENTATIVE OF SAID COMPANY.

REVISIONS				
ZONE	REV	DESCRIPTION	DATE	APPROVED



HEAVY DUTY STREAMER SOCKET (WITHOUT GROUND RING) SHOWN WITH LAMP, AND ZINC PLATED STEEL CLOSED END WIRE LAMP GUARD WIRE LAMP GUARD IN STREAMER SERIES.

NOTE: GROUND WIRE GOES THROUGH ENTIRE LENGTH OF STREAMER UNINTERRUPTED.

DIMENSIONS IN INCHES UNLESS OTHERWISE NOTED. TOLERANCES: FRAC. DEC. ANG.		HEAVY DUTY STREAMER SOCKET (WITHOUT GROUND RING)				
MATERIAL: BODY IS MOLDED HYPALON	APPROVALS	DATE	 DIV. OF J.B. NOTTINGHAM 75 HOFFMAN LANE ISLANDIA, NY 11749			
FINISH:	DRAWN DR	2/1/06				
DO NOT SCALE DRAWING	CHECKED	ISSUED				
			SIZE A	FSCM NO. 16998	DWG. NO. HDSSNGR	REV.
			SCALE		SHEET 1 OF 1	