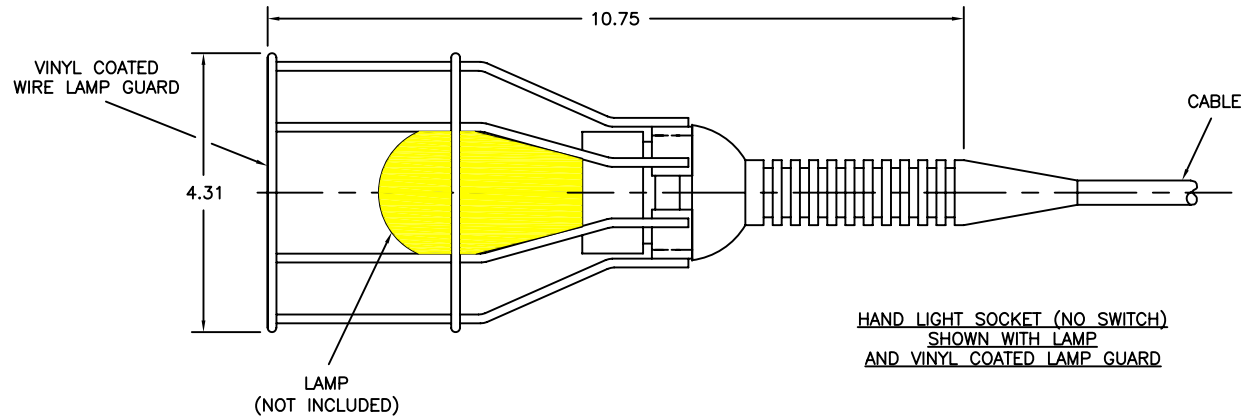
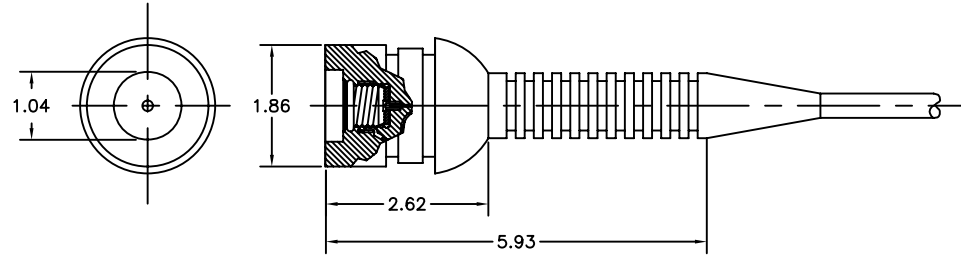


THIS DRAWING/SPECIFICATION CONTAINS PROPRIETARY INFORMATION OF THE J.B. NOTTINGHAM AND CO., INC./DURALINE, WHICH SHALL NOT BE PUBLISHED, REPRODUCED, COPIED, FURTHER DISCLOSED AS THE BASIS OF MANUFACTURE FOR OR SALE OF APPARATUS TO OTHERS THAN THE J.B. NOTTINGHAM AND CO., INC., EXCEPT BY WRITTEN PERMISSION OF A DULY AUTHORIZED REPRESENTATIVE OF SAID COMPANY.

REVISIONS				
ZONE	REV	DESCRIPTION	DATE	APPROVED



DIMENSIONS IN INCHES UNLESS OTHERWISE NOTED. TOLERANCES: FRAC. DEC. ANG.			APPROVALS		DATE	HAND LIGHT SOCKET (NO SWITCH)				
MATERIAL: BODY IS MOLDED HYPALON			DRAWN DR		2/17/06	Duraline		DIV. OF J.B. NOTTINGHAM 75 HOFFMAN LANE ISLANDIA, NY 11749		
FINISH :			CHECKED					SIZE A	FSCM NO. 16998	DWG. NO. HLSNS
DO NOT SCALE DRAWING						SCALE			SHEET 1 OF 1	