

Duraline®



518 Series Single-Pole Connectors & Receptacles



Jr.

Available in 3 series!
600v - 5KV!
150 - 1,000 Amps!

Micro

Sr.

Industrial Strength Electrical Products for Industrial Strength Users



Duraline®

High-Power, Single-Pole 518 Series Connectors and Receptacles



The **Duraline 518 Series** high-power connectors feature an innovative 360-degree non-specific locking collet design. This allows the connector pairs to be mated and locked without regard to a specific orientation. There is no cam or keyway to line up, no polarizing positions, or twisted cables to worry about. When engaged, the sliding locking ring provides positive-locking force while allowing free rotation even with rigid cable.

The **518 Series** high-power connectors are designed and tested for AC or DC applications requiring currents from 50 to 1000 amps, and voltages up to 5KV. All non-field-attachable connectors are integrally molded directly to cable and include waterproof caps. Connectors are available in a variety of colors to allow for phase identification. Mated pairs are fully watertight and are ideally suited for use in areas that are generally hosed down as part of clean-up procedures.

The **518 Series** connectors can be manufactured to conform to IEEE-383 for class 1E applications for use in nuclear-fueled power plants. Since these crews must work under limited allowable time exposures, the quick-connection properties of the **518 Series** connectors are quite desirable.

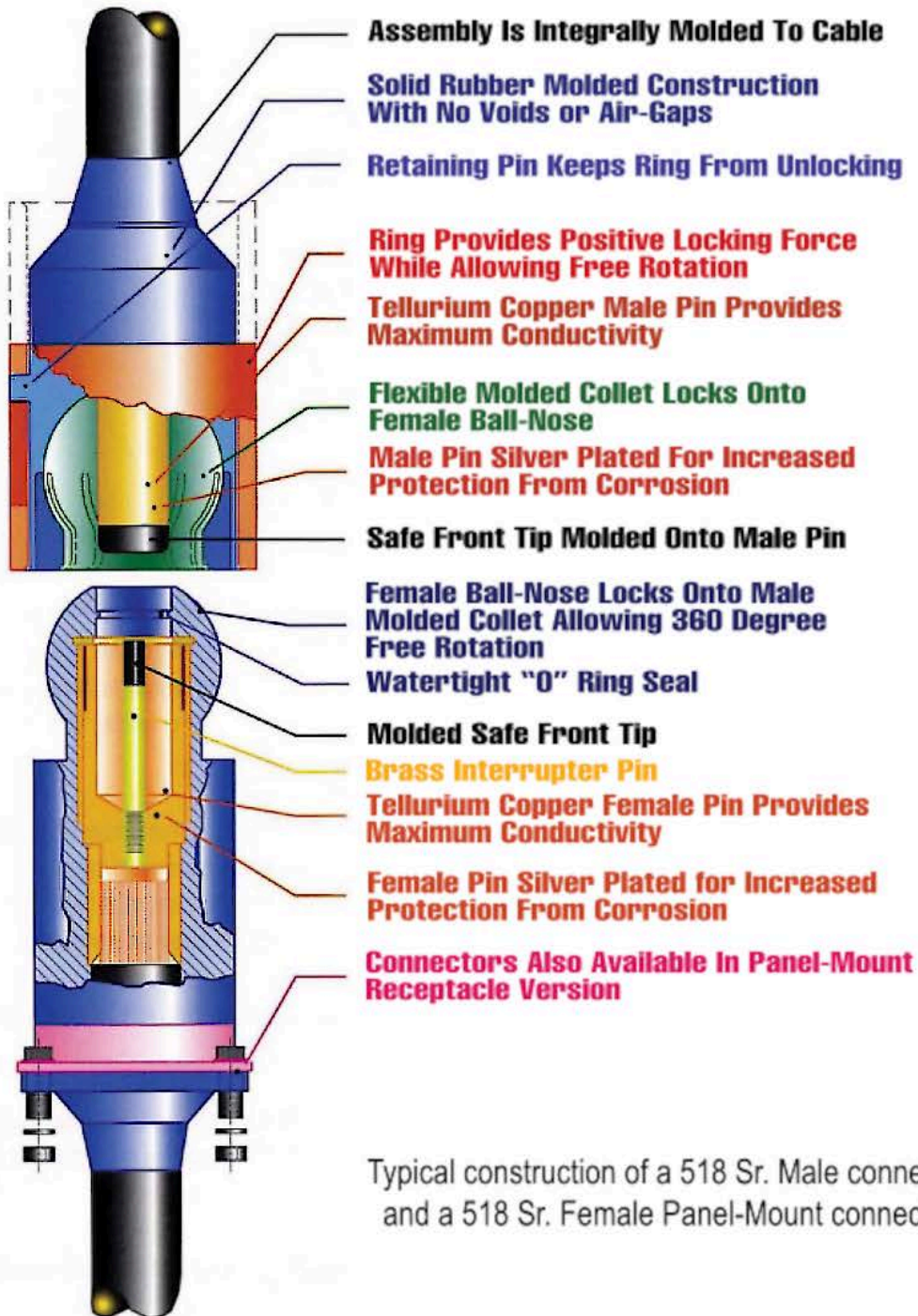
All **518 Series** connectors are built to customer's electrical specifications (voltage, amperage, cable size, and color codes). Contact the **Duraline** Sales Team today!

Industry Uses:

- Railroad Cars
- Power Plants
- Generators
- Tunnels
- Cranes
- Oil Rigs
- Refineries
- Aircraft Carriers
- Anywhere a high power, quick disconnect would be used

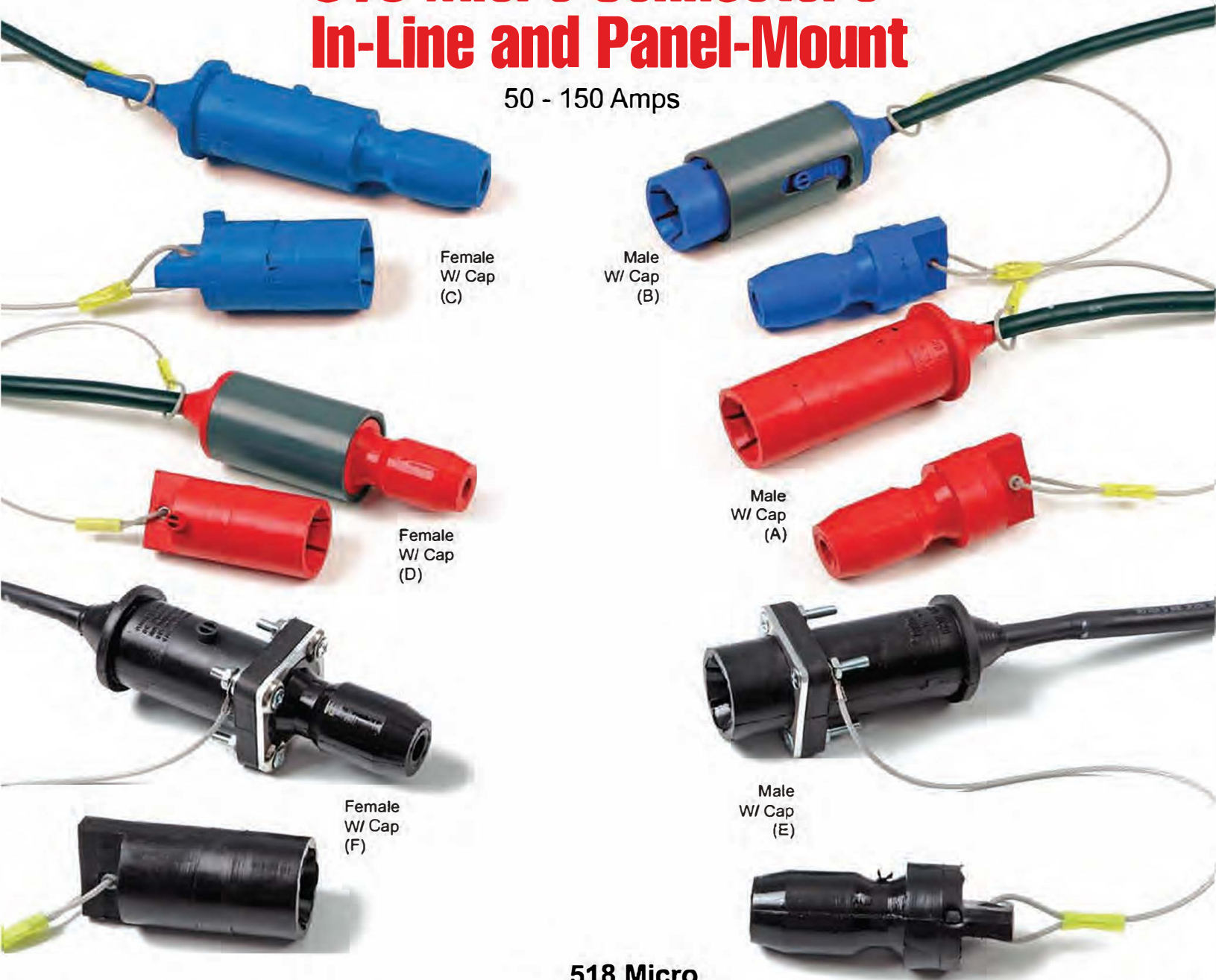
Series	Current Range	Locking Force	Voltage Range
518 Micro	50A - 150A	100 LBS	Up to 600V AC/DC
518 Jr.	150A - 300A	150 LBS	Up to 600V AC/DC
518 Sr.	300A - 1,000A	300+ LBS	Up to 5KV* AC/DC

* Some 5KV applications require use of a grounded shield. Currently, 518 Sr. connectors have been tested and used for 5KV applications, but do not allow for a grounded shield.



518 Micro Connectors In-Line and Panel-Mount

50 - 150 Amps

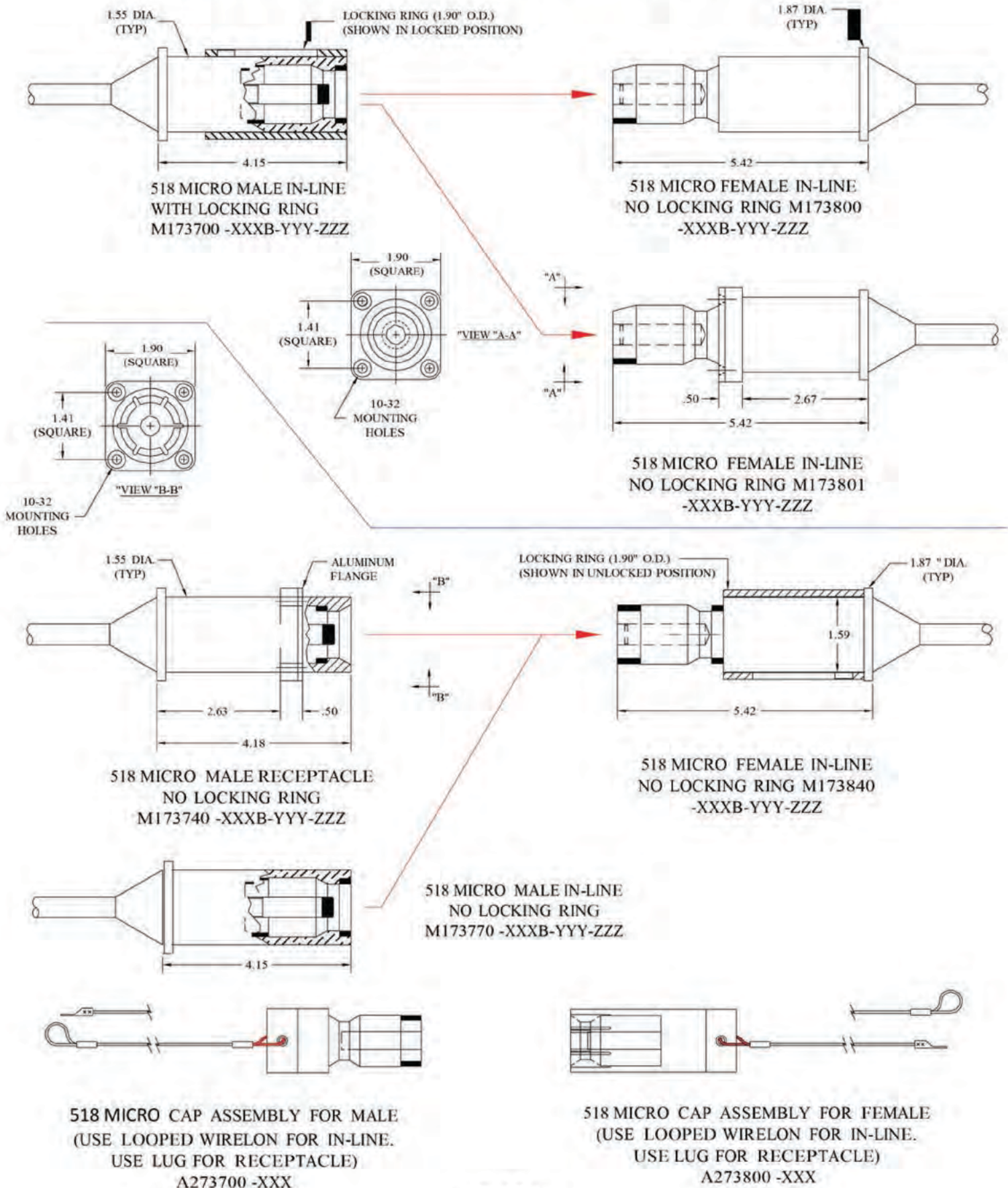


518 Micro

	Part Number	Description	Mates with
A	M173770-XXXB-YYY-ZZZ	518 Micro Male In-Line connector, no Locking Ring, Includes Cap	D
B	M173700-XXXB-YYY-ZZZ	518 Micro Male In-Line connector, with Locking Ring, Includes Cap	C / F
C	M173800-XXXB-YYY-ZZZ	518 Micro Female In-Line connector, no Locking Ring, Includes Cap	B
D	M173840-XXXB-YYY-ZZZ	518 Micro Female In-Line connector, with Locking Ring, Includes Cap	A / E
E	M173740-XXXB-YYY-ZZZ	518 Micro Male Panel-Mount connector, no Locking Ring, Includes Cap	D
F	M173801-XXXB-YYY-ZZZ	518 Micro Female Panel-Mount connector, no Locking Ring, Includes Cap	B

XXXB = Cable sizes range from #8 to #4 AWG, black cable jacket.
 YYY = Length of cable, minimum 002 feet.
 ZZZ = Color (BLK, WHT, RED, YEL, ORG, GRN, BLU, & BRN)

518 MICRO IN-LINE AND RECEPTACLE (50A - 150A) COMBINATIONS, DIMENSIONS AND PART NUMBERS



518 Jr. Connectors In-Line and Panel-Mount

150 - 300 Amps

518 Jr.

	Part Number	Description	Mates with
A	M151841-XXXB-YYY-ZZZ	518 Jr. Male In-Line connector, with Locking Ring, Includes Cap	B / D
B	M151845-XXXB-YYY-ZZZ	518 Jr. Female In-Line connector, no Locking Ring, Includes Cap	A / C
C	M151842-XXXB-YYY-ZZZ	518 Jr. Male Panel-Mount connector, with Locking Ring, Includes Cap	B
D	M151840-XXXB-YYY-ZZZ	518 Jr. Female Panel-Mount connector, no Locking Ring, Includes Cap	A

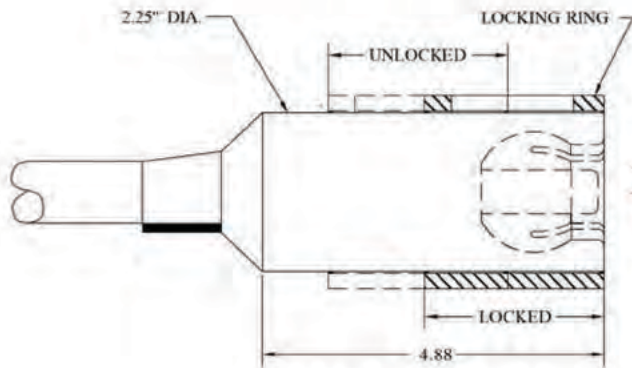
XXXB = Cable sizes range from #4 to #1 AWG and 1/0 to 3/0 MCM, black cable jacket.

YYY = Length of cable, minimum 002 feet.

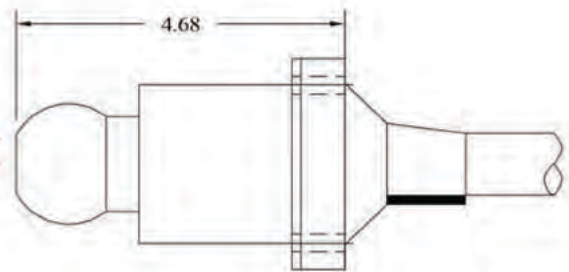
ZZZ = Color (BLK, WHT, RED, YEL, ORG, GRN, BLU, & BRN)



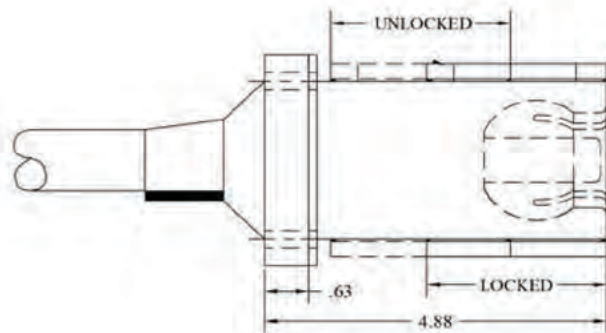
518 Jr. IN-LINE AND RECEPTACLE (150A - 300A) COMBINATIONS, DIMENSIONS AND PART NUMBERS



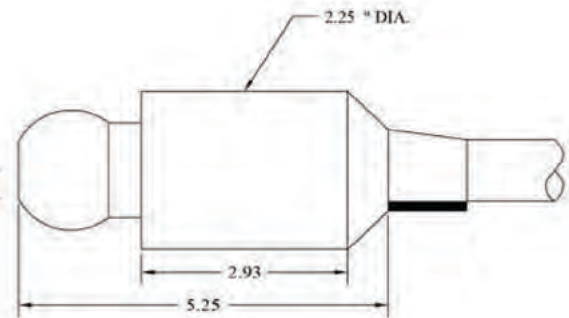
518 Jr. MALE IN-LINE
WITH LOCKING RING
M151841 -XXXB-YYY-ZZZ



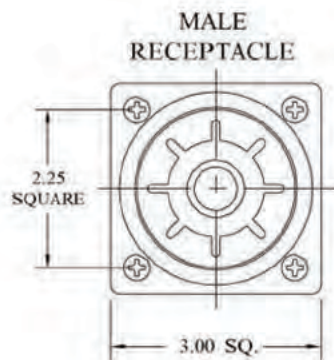
518 Jr. FEMALE RECEPTACLE
NO LOCKING RING
M151840 -XXXB-YYY-ZZZ



518 Jr. MALE RECEPTACLE
WITH LOCKING RING
M151842 -XXXB-YYY-ZZZ



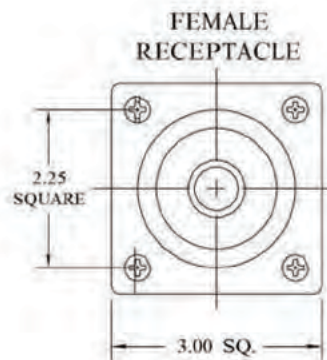
518 Jr. FEMALE IN-LINE
NO LOCKING RING
M151845 -XXXB-YYY-ZZZ



MALE
RECEPTACLE



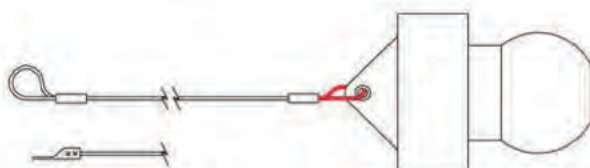
MALE
CONNECTOR



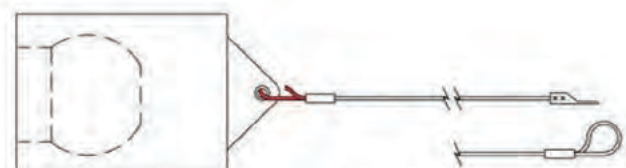
FEMALE
RECEPTACLE



FEMALE
CONNECTOR



518 Jr. CAP ASSEMBLY FOR MALE
(USE LOOPED WIRELON FOR IN-LINE,
USE LUG FOR RECEPTACLE)
A251850 -XXX



518 Jr. CAP ASSEMBLY FOR FEMALE
(USE LOOPED WIRELON FOR IN-LINE,
USE LUG FOR RECEPTACLE)
A251851 -XXX



**Rotates 360° while
maintaining contact!**

518 Sr. Connectors In-Line and Panel-Mount

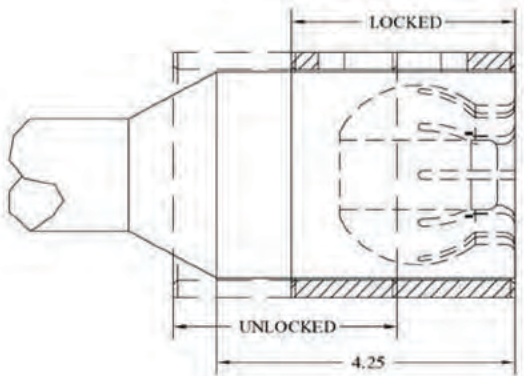
300 - 1,000 Amps

518 Sr.

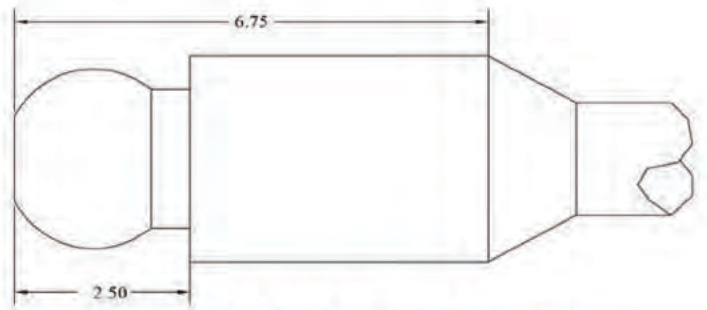
	Part Number	Description	Mates with
A	M151859-XXXB-YYY-ZZZ	518 Sr. Male In-Line connector, no Locking Ring, Includes Cap	D
B	M151817-XXXB-YYY-ZZZ	518 Sr. Male In-Line connector, with Locking Ring, Includes Cap	C / F
C	M151807-XXXB-YYY-ZZZ	518 Sr. Female In-Line connector, no Locking Ring, Includes Cap	B
D	M151831-XXXB-YYY-ZZZ	518 Sr. Female In-Line connector, with Locking Ring, Includes Cap	A / E
E	M151834-XXXB-YYY-ZZZ	518 Sr. Male Panel Mount connector, no Locking Ring, Includes Cap	D
F	M151808-XXXB-YYY-ZZZ	518 Sr. Female Panel Mount connector, no Locking Ring, Includes Cap	B

XXXB = Cable sizes range from 3/0 to 1111 MCM, black cable jacket.
 YYY = Length of cable, minimum 002 feet.
 ZZZ = Color (BLK, WHT, RED, YEL, ORG, GRN, BLU, & BRN)

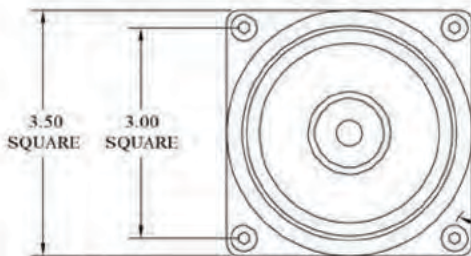
518 SR. IN-LINE AND RECEPTACLE (300A - 1000A) COMBINATIONS, DIMENSIONS AND PART NUMBERS



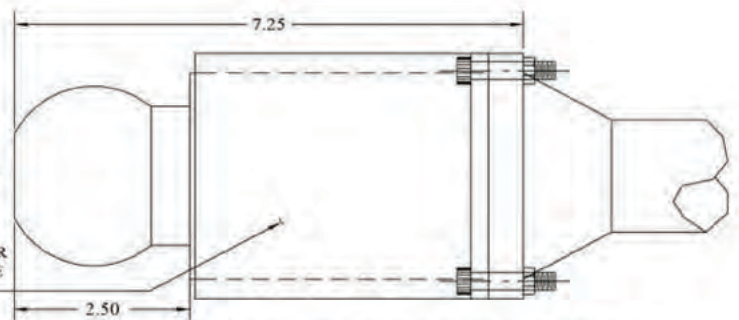
518 Sr. MALE IN-LINE W/LOCKING RING
M151817 -XXXB-YYY-ZZZ



518 Sr. FEMALE IN-LINE, NO LOCKING RING
M151807 -XXXB-YYY-ZZZ

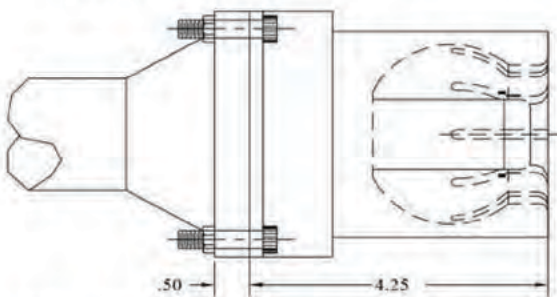


FEMALE RECEPTACLE
NO LOCKING RING



518 Sr. FEMALE RECEPT., NO LOCKING RING
M151808 -XXXB-YYY-ZZZ

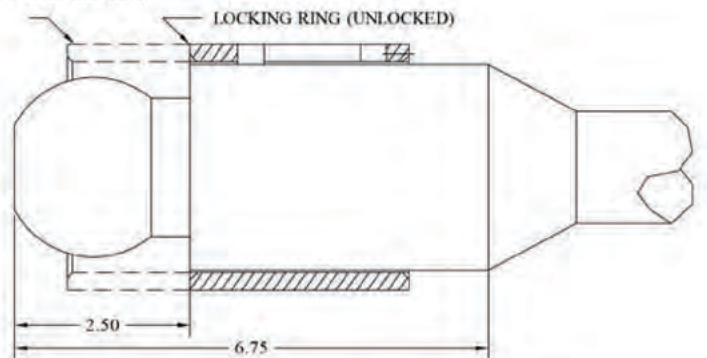
518 Sr. MALE IN-LINE, NO LOCKING RING
M151859 -XXXB-YYY-ZZZ



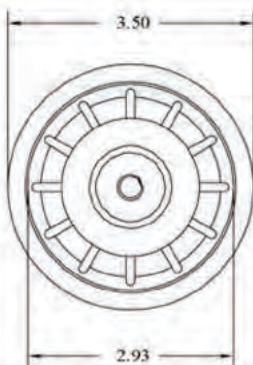
518 Sr. MALE RECEPTACLE, NO LOCKING RING
M151834 -XXXB-YYY-ZZZ

LOCKING RING (LOCKED)

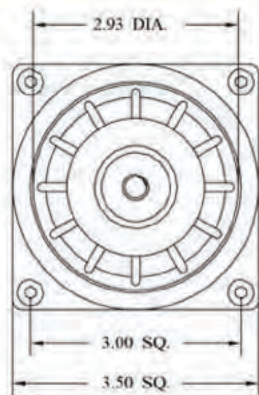
LOCKING RING (UNLOCKED)



518 Sr. FEMALE IN-LINE W/LOCKING RING
M151831 -XXXB-YYY-ZZZ



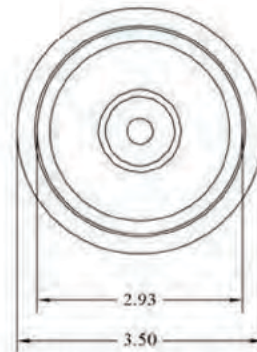
MALE PLUG
WITH LOCKING RING



MALE RECEPTACLE
NO LOCKING RING



FEMALE CONNECTOR
NO LOCKING RING



FEMALE CONNECTOR
WITH LOCKING RING

CONTACT
FACTORY
FOR SPECIAL
SERIES OF
NUMBERS
FOR 111MCM
518 SR.
CONNECTORS
AND
RECEPTACLES



518 Sr. Field Attachable
300 - 1,000 Amps



518 Sr. Field-Attachable

Part Number	Description
M151817-FA-500-ZZZ	518 Sr. Field-Attachable Male connector for 500 MCM, with Locking Ring
M151807-FA-500-ZZZ	518 Sr. Field-Attachable Female connector for 500 MCM, no Locking Ring

518 Sr. Housings and Panels
300 - 1,000 Amps

Duraline offers the **518 Sr. Series** in both housings and panels to provide versatile methods for delivering high power systems. These highly customizable panels can include multiple housings in either a 30 degree or 90 degree design, and can include up to 4 receptacles per housing.

Call a Sales Associate today for information, (386) 873-2990, or email sales@jbn-duraline.com.



518 Series Replacement Caps and Accessories

MICRO SERIES

JUNIOR SERIES



Micro 518 Replacement Caps

A273700-ZZZ	Replacement Cap for 518 Micro Male Connectors and Receptacles
A273800-ZZZ	Replacement Cap for 518 Micro Female Connectors and Receptacles

518 Jr. Replacement Caps

A251850-ZZZ	Replacement Cap for 518 Jr. Male Connectors and Receptacles
A251851-ZZZ	Replacement Cap for 518 Jr. Female Connectors and Receptacles

518 Sr. Replacement Caps

A251867-ZZZ	Replacement Cap for 518 Sr. Male Connectors and Receptacles
A251870-ZZZ	Replacement Cap for 518 Sr. Female Connectors and Receptacles

ZZZ = Color (BLK, WHT, RED, YEL, ORN, GRN, BLU, & BRN)

Micro 518 Replacement Parts

CNC007293	Mounting Flange for all Micro 518 Receptacles
CNC007122	Locking Ring for Micro 518 Connectors

518 Jr. Replacement Parts

CNC006038	Mounting Flange for all 518 Jr. Receptacles
A006946	Locking Ring for 518 Jr. Connectors and Receptacles

518 Sr. Replacement Parts

CNC006383	Mounting Flange for 518 Sr. Male Receptacles
CNC007342	Mounting Flange for 518 Sr. Female Receptacles
A006595	Locking Ring for all 518 Sr. Connectors
A251855	Interrupter Pin for all 518 Jr. Female Connectors and Receptacles



With over 70 years experience, we know exactly what you need.



Duraline was founded in 1946 as a supplier of safety-engineered electrical distribution systems for the shipbuilding industries. We have since grown to supply diverse industries such as petrochemical, aviation, medical, and entertainment.



Duraline products are proudly made in the U.S.A. All of the manufacturing is done in our Florida facility, established in 2012. To guarantee that our products are safe, we follow the most stringent manufacturing and quality control requirements and manufacture our products to conform with several recognized industry standards.



Duraline is committed to bringing the best product possible to our customers, including developing new products to match any needs our customers might have.

Duraline[®]

Industrial Strength Electrical Products for Industrial Strength Users

Duraline Div. of J.B. Nottingham & Co., Inc.
1731 Patterson Ave.
DeLand, FL 32724

Phone: 386-873-2990 | Fax: 386-873-2995
www.jbn-duraline.com

