

# Duraline<sup>®</sup>



## 518 Series Single-Pole Connectors & Receptacles



Available in 3 Series  
600v - 5KV!  
150 - 1,000 Amps!

Industrial Strength Electrical Products for Industrial Strength Users





## 518 Sr. Housing and Panels

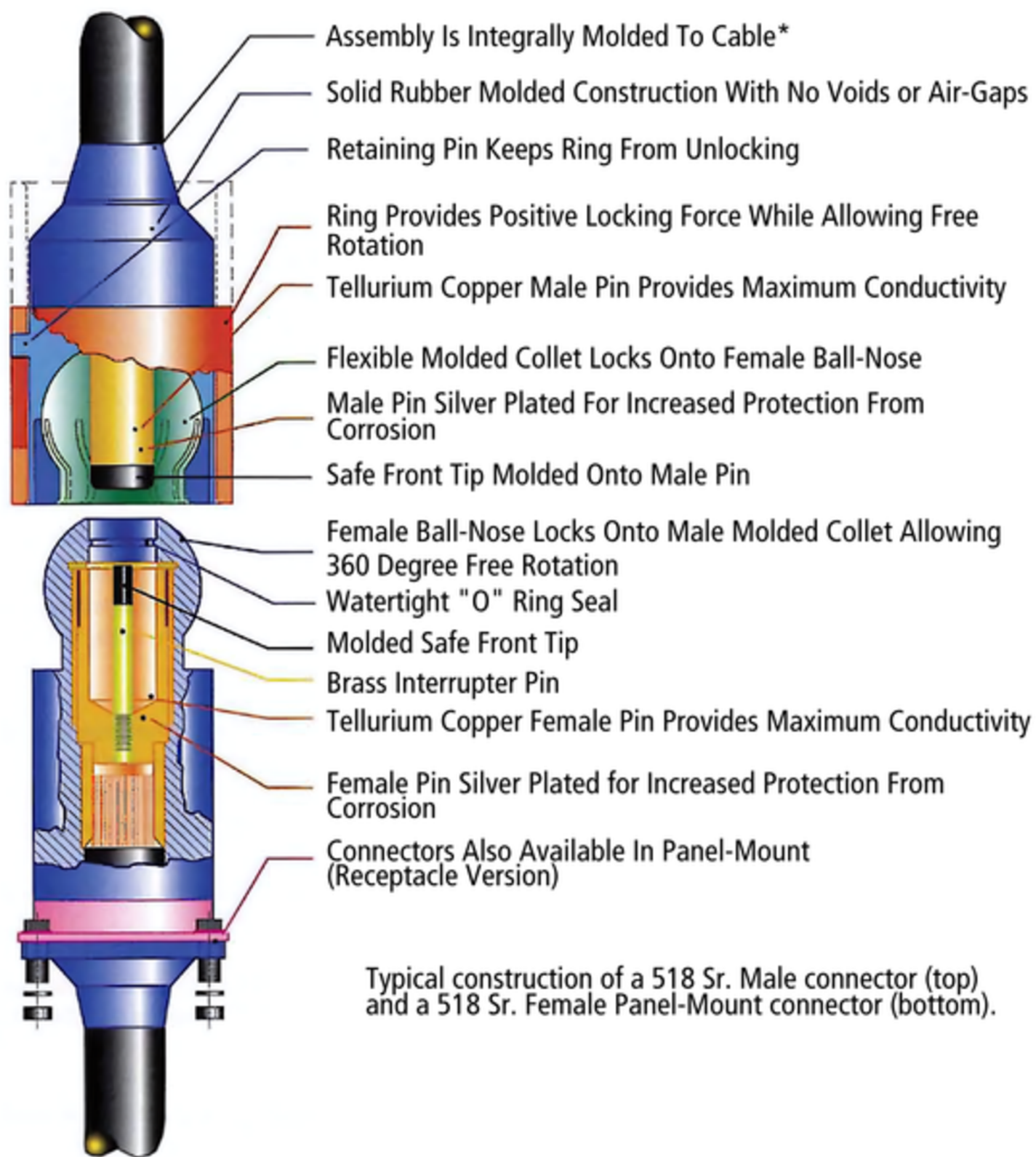
### 300 - 1,000 Amps

Duraline offers the 518 Sr. Series in both housings and panels to provide a versatile methods for delivering high power systems . These highly customizable panels can include multiple housings in either 30 or 90 degree design, and can include up to 4 receptacles per housing.

Additional customization options are available. Call our sales team today for more information , (386) 873-2990 or email us at [inquire@Jbn-Duraline.com](mailto:inquire@Jbn-Duraline.com)

Series	Current Range	Locking Force	Voltage Range
518 Micro	50A - 150A	100 LBS	Up to 500V AC/DC
518 Jr.	15A - 300A	150 LBS	Up to 600V AC/DC
518 Sr.	300A - 1,000A	300 LBS	Up to 5KV* AC/DC

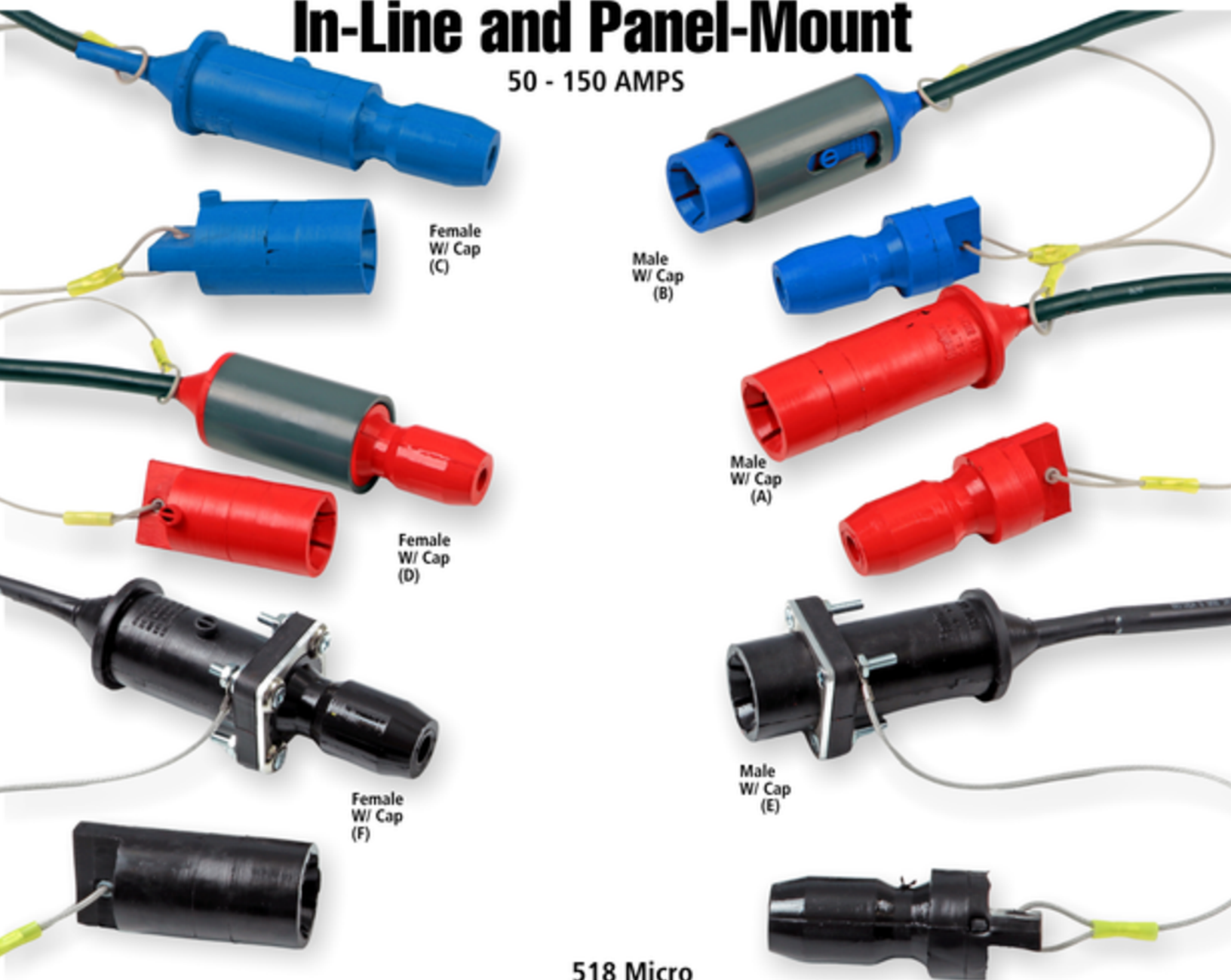
\* Some 5KV applications require use of a grounded shield. Currently, 518 Sr. connectors have been tested and used for 5KV applications, but do not allow for a grounded shield.



# 518 Micro Connectors

## In-Line and Panel-Mount

50 - 150 AMPS



### 518 Micro

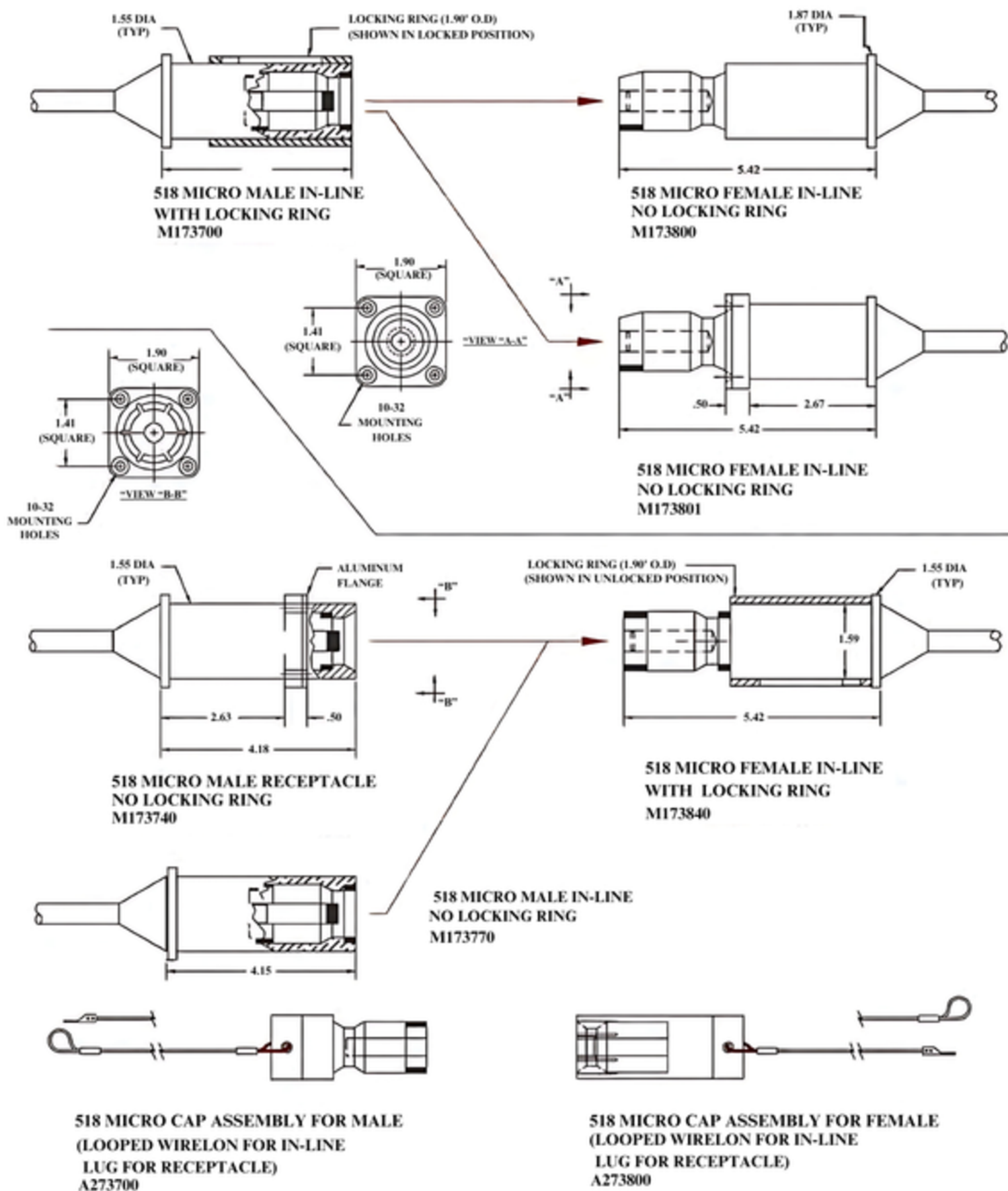
	Part Number	Part Description	Mates With
A	M173770	518 Micro Male In-Line Connector, No Locking Ring	D
B	M173700	518 Micro Male In-Line Connector, With Locking Ring	C / F
C	M173800	518 Micro Female In-Line Connector, No Locking Ring	B
D	M173840	518 Micro Female In-Line Connector, With Locking Ring	A / E
E	M173740	518 Micro Male Panel-Mount Connector, No Locking Ring	D
F	M173801	518 Micro Female Panel-Mount Connector, No Locking Ring	B

Cable sizes range from #8 to #4 AWG, black cable jacket

Minimum 2ft cable length

Connectors are available in assorted colors

## 518 MICRO IN-LINE AND RECEPTACLE (50A - 150A) COMBINATIONS, DIMENSIONS AND PART NUMBERS



# 518 Jr. Connectors In-Line and Panel-Mount

150 - 300 AMPS

## 518 Jr.

	Part Number	Part Description	Mates With
A	M151841	518 Jr. Male In-Line Connector, With Locking Ring	B / D
B	M151845	518 Jr. Female In-Line Connector, No Locking Ring	A / C
C	M151842	518 Jr. Male Panel-Mount Connector, With Locking Ring	B
D	M151840	518 Jr. Female Panel-Mount Connector, No Locking Ring	A

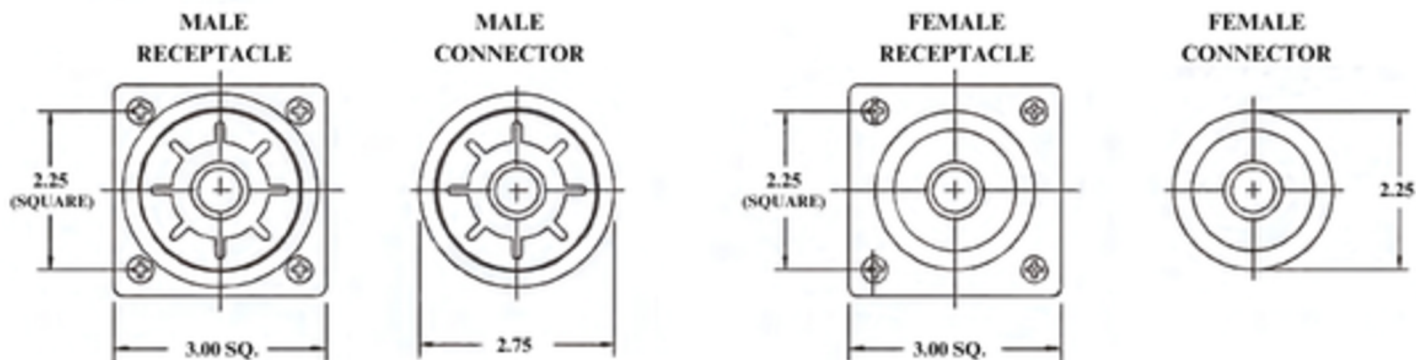
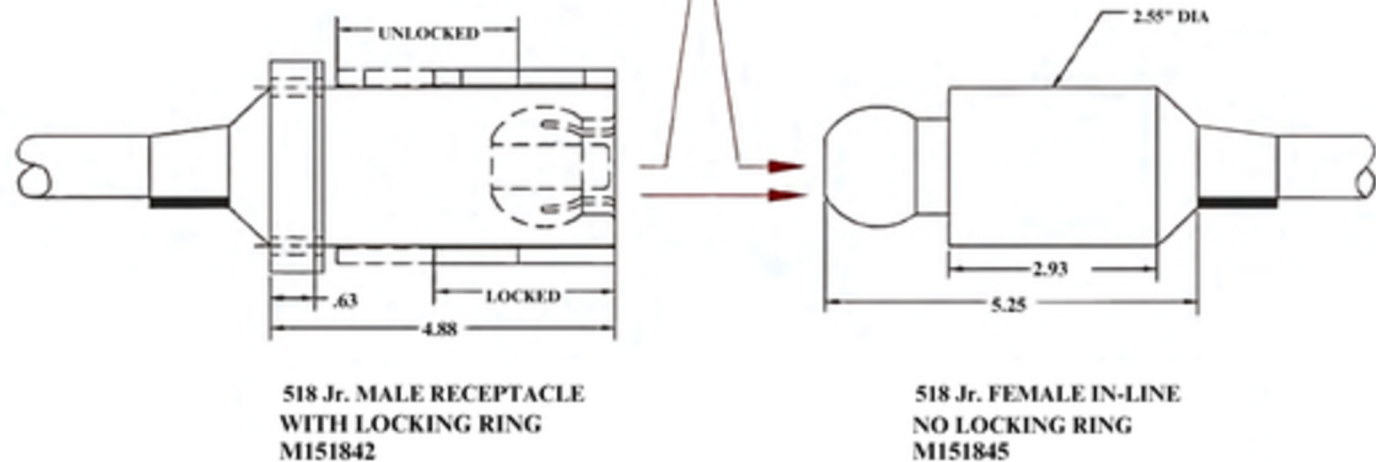
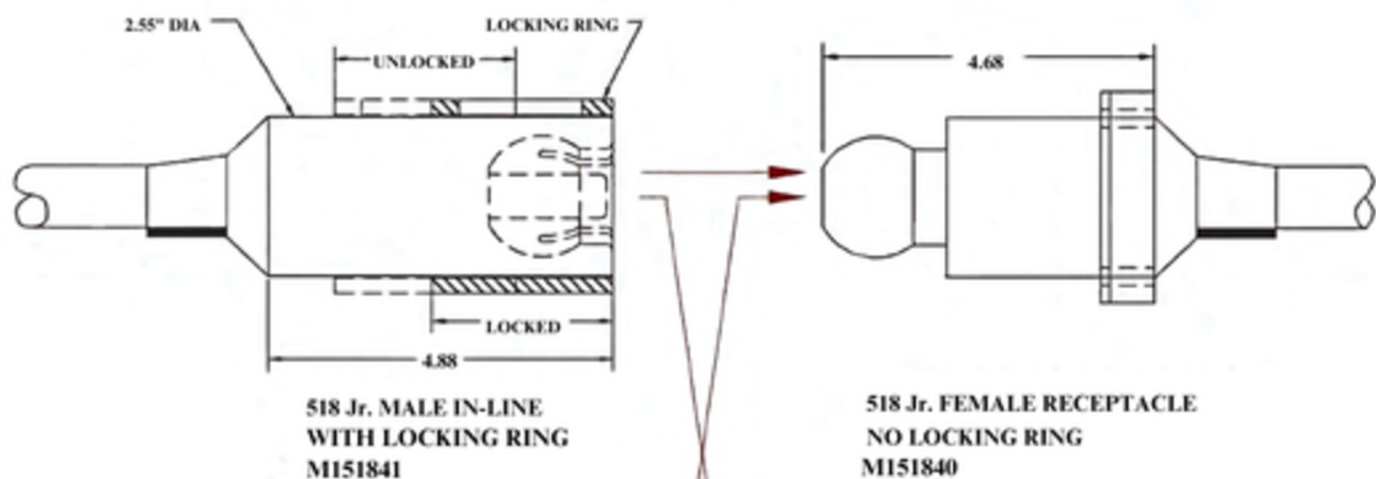
Cable sizes range from #8 to #4 AWG, black cable jacket

Minimum 2ft cable length

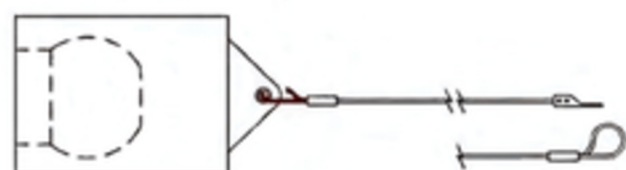
Connectors are available in assorted colors



## 518 Jr. IN-LINE AND RECEPTACLE (150A - 300A) COMBINATIONS, DIMENSIONS AND PART NUMBERS



**518 Jr. CAP ASSEMBLY FOR MALE**  
(LOOPED WIRE FOR IN-LINE  
LUG FOR RECEPTACLE)  
A251850



**518 Jr. CAP ASSEMBLY FOR FEMALE**  
(LOOPED WIRE FOR IN-LINE  
LUG FOR RECEPTACLE)  
A251851



## 518 Sr. Connectors In-Line and Panel-Mount

300 - 1,000 AMPS

### 518 Sr.

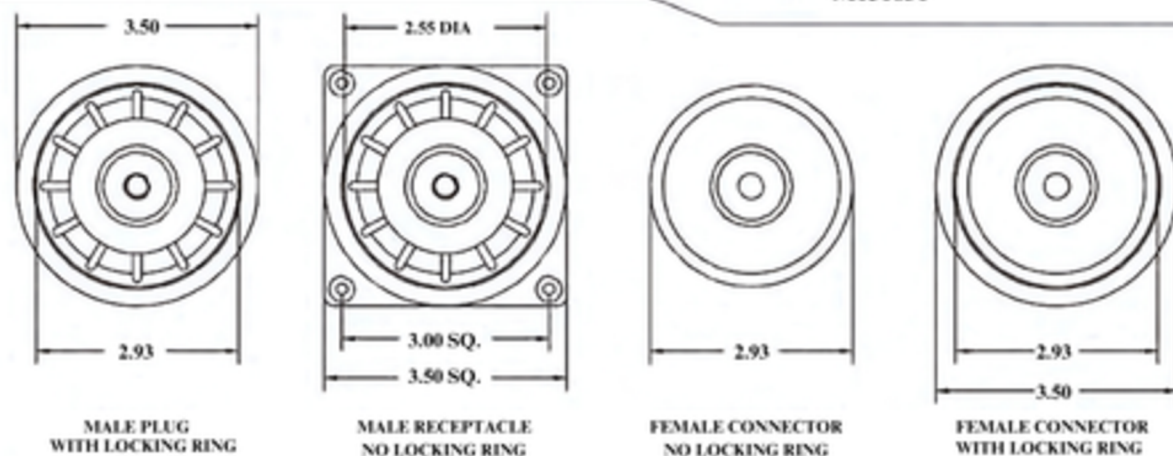
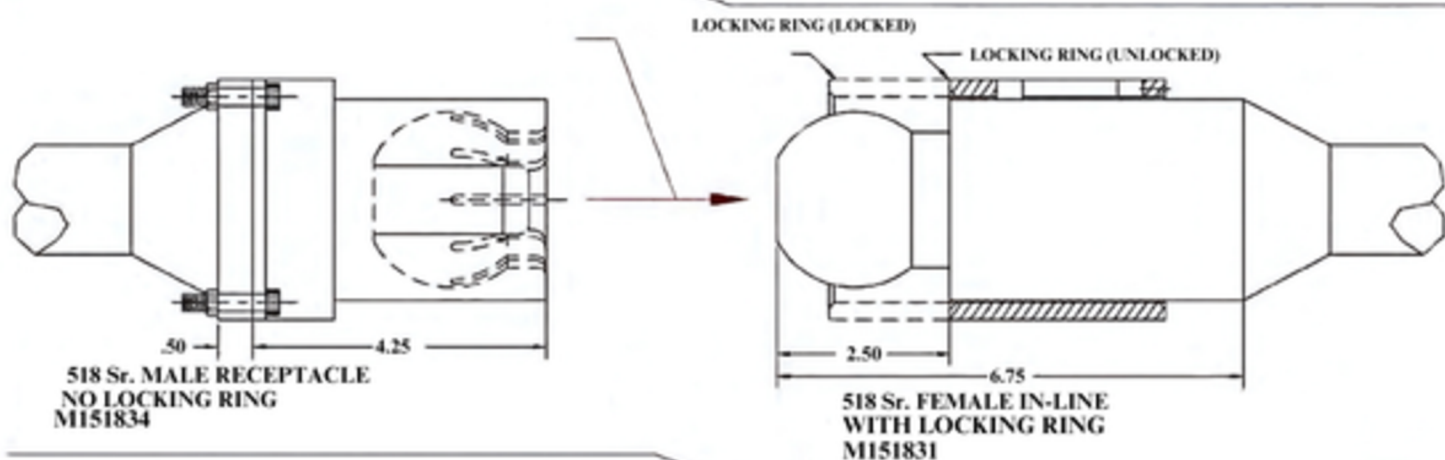
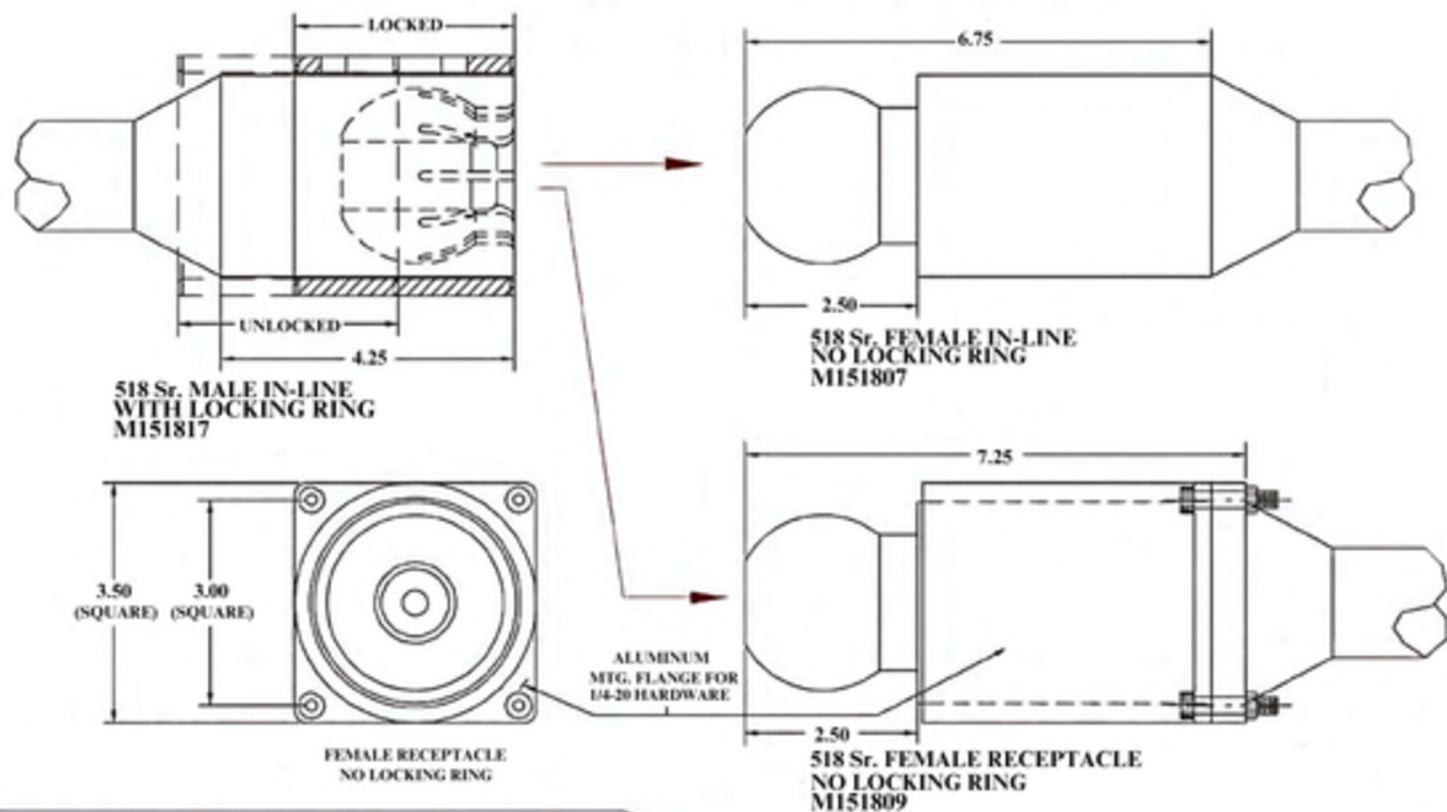
	Part Number	Part Description	Mates With
A	M151859	518 Sr. Male In-Line Connector, No Locking Ring	D
B	M151817	518 Sr. Male In-Line Connector, With Locking Ring	C / F
C	M151807	518 Sr. Female In-Line Connector, No Locking Ring	B
D	M151831	518 Sr. Female In-Line-Connector, With Locking Ring	A / E
E	M151834	518 Sr. Male Panel-Mount Connector, No Locking Ring	D
F	M151808	518 Sr. Female Panel-Mount Connector, No Locking Ring	B

Cable sizes range from #8 to #4 AWG, black cable jacket

Minimum 2ft cable length

Connectors are available in assorted colors

## 518 Sr. IN-LINE AND RECEPTACLE (300A - 1000A) COMBINATIONS, DIMENSIONS AND PART NUMBERS





## 518 Sr. Housing and Panels 300 - 1,000 Amps

Duraline offers the 518 Sr. Series in both housings and panels to provide a versatile methods for delivering high power systems . These highly customizable panels can include multiple housings in either 30 or 90 degree design, and can include up to 4 receptacles per housing.

Additional customization options are available. Call our sales team today for more information , (386) 873-2990 or email us at [inquire@Jbn-Duraline.com](mailto:inquire@Jbn-Duraline.com)

# 518 Series Replacement Caps and Accessories

## Mirco Series



## Junior Series



## Senior Series



### Micro 518 Replacement Caps

A273700	Replacement Cap for 518 Micro Male Connectors and Receptacles
A273800	Replacement Cap for 518 Micro Female Connectors and Receptacles

### 518 Jr. Replacement Caps

A251850	Replacement Cap for 518 Jr. Male Connectors and Receptacles
A251851	Replacement Cap for 518 Jr. Female Connectors and Receptacles

### 518 Sr. Replacement Caps

A251867	Replacement Cap for 518 Sr. Male Connectors and Receptacles
A251870	Replacement Cap for 518 Sr. Female Connectors and Receptacles

### Micro 518 Replacement Parts

CNC007293	Mounting Flange for All Micro 518 Receptacles
CNC007122	Locking Ring for Micro 518 Connectors

### 518 Jr. Replacement Parts

CNC006038	Mounting Flange for All 518 Jr. Receptacles
A006946	Locking Ring for all 518 Jr. Connectors and Receptacles

### 518 Sr. Replacement Parts

CNC006383	Mounting Flange for 518 Sr. Male Receptacles
CNC007342	Mounting Flange for 518 Sr. Female Receptacles
A006595	Locking Ring for all 518 Sr. Connectors

**\*Available in assorted colors**



## With over 70 years experience, we know exactly what you need.



Duraline was founded in 1946 as a supplier of safety-engineered electrical distribution systems for the shipbuilding industries. We have since grown to supply diverse industries such as petrochemical, aviation, medical, and entertainment.



Duraline products are proudly made in the U.S.A. All of the manufacturing is done in our Florida facility, established in 2012. To guarantee that our products are safe, we follow the most stringent manufacturing and quality control requirements and manufacture our products to conform with several recognized industry standards.



Duraline is committed to bringing the best product possible to our customers, including developing new products to match any needs our customers might have.

Rev. 06202018

# Duraline®

**Industrial Strength Electrical Products for Industrial Strength Users**



Duraline Div. of J.B. Nottingham & Co., Inc.  
1731 Patterson Ave.  
DeLand, FL 32724  
Phone: 386-873-2990 | Fax: 386-873-2995  
www.jbn-duraline.com

